

LASER GUIDED VEHICLE (LGV)

ocme

Moving Ideas

AURIGA PS

DESCRIPTION

Auriga PS is an automatic laser guided vehicle with covered forks. In low position, the forks cover the rear wheels just like an electrical pallet truck. Thanks to the wheels position in relation to the load being carried, the PS model can move up to 3300 lb, while being a machine of reduced dimensions. Auriga PS is therefore ideal to work in reduced space, between production lines for instance, or in warehouses as well.

AURIGA PS HAS BEEN
DESIGNED TO TRANSPORT
PALLET, OPENED ON
THE PICKING SIDE.
THE VEHICLE CAN
HOWEVER TRANSPORT:

ANY TYPE
OF PRODUCT



HIGH CAPACITY
*Despite its reduced dimensions,
the vehicle can move up to 3300 lb loads.*



REDUCED DIMENSIONS
*Extremely compact and agile with the
possibility to move in reduced spaces, whilst
guaranteeing maximum safety.*



LASER GUIDED VEHICLE (LGV)



Moving Ideas

OPTIONALS

BATTERY CHANGEOVER

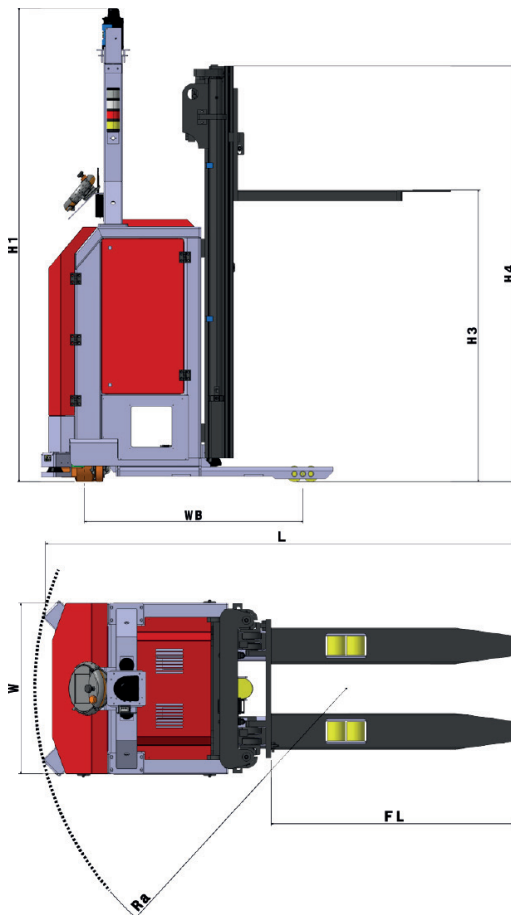


- FULLY AUTOMATIC CHANGEOVER
- MANUAL CHANGEOVER
- OPPORTUNITY CHARGING STATION

BATTERY TYPE



- **LEAD-ACID BATTERIES:** monthly easy maintenance, reduced costs
- **NEXSYS BATTERIES:** pure lead, near-zero gas emissions during the charge, no maintenance required
- **LITHIUM BATTERIES:** fast charging, no maintenance required and no gas emission during the charge



FEATURES OF THE MACHINE

SPECIFICATIONS

		AURIGA 15 PS
Max unit Load Weight		3300 lb
LGV Height*	H1	9 ft
Lifting height*	H3	9 ft
Forks Length*	FL	48"
LGV Length	L	7'-3"
LGV Width	W	32"
Wheel base	WB	46"
Max. speed		3.8 mi/h
Max speed Fork Lift		5.9 in/s
LGV weight with battery		4000 lb
Battery		48 V - 250 A/h

*Customizable