

# LASER GUIDED VEHICLE (LGV)

**ocme**

*Moving Ideas*

## AURIGA C

### DESCRIPTION

Auriga C range are vehicles equipped with chains, rollers or rubber belt conveyors. Our conveyor vehicles are designed to move the product from one conveyor to another. The Auriga C begins with Auriga C1, which transports one single pallet, up to the larger Auriga C4, which transports 4 pallets simultaneously.

AURIGA C  
ARE DESIGNED  
TO TRANSPORT:

ANY TYPE  
OF PRODUCT



**HIGH STABILITY OF THE PRODUCT  
BEING MOVED**



**MAXIMUM SAFETY WHEN  
APPROACHING THE STATIONS**



**POSSIBILITY OF HANDLING PALLETES,  
HALF PALLETES AND QUARTERS OF A PALLET**



**AC MOTORS ON CONVEYORS**



# LASER GUIDED VEHICLE (LGV)



Moving Ideas

## OPTIONALS

### BATTERY CHANGEOVER

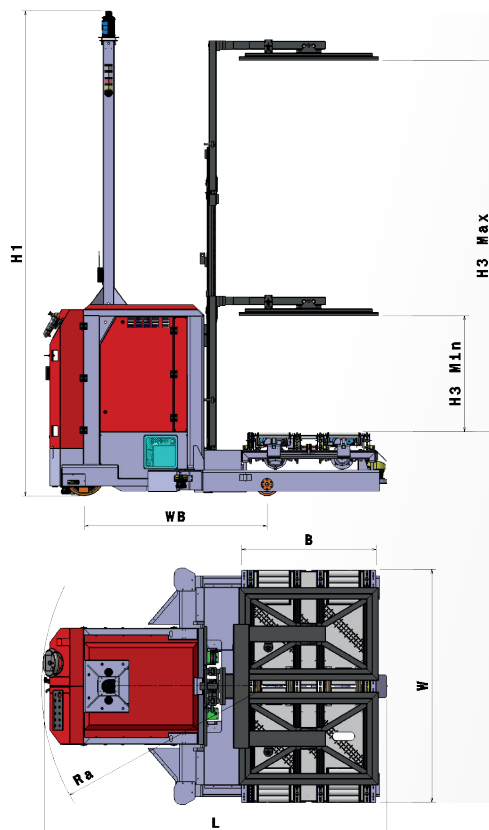


- FULLY AUTOMATIC CHANGEOVER
- MANUAL CHANGEOVER
- OPPORTUNITY CHARGING STATION

### BATTERY TYPE



- **LEAD-ACID BATTERIES:** monthly easy maintenance, reduced costs
- **NEXSYS BATTERIES:** pure lead, near-zero gas emissions during the charge, no maintenance required
- **LITHIUM BATTERIES:** fast charging, no maintenance required and no gas emission during the charge



## MACHINE FEATURES

### SPECIFICATIONS

		AURIGA C1	AURIGA C2	AURIGA C4
Max unit Load Weight		3300 lb	6600 lb	11000 lb
Type of load		N.1 PALLET	N.2 PALLETS	N.4 PALLETS
LGV Height*	H1	9 ft	9 ft	9 ft
Min. height press load*	H3 min	40"	40"	40"
Max. height press load*	H3 max	9 ft	9 ft	9 ft
Transport width*	B	45"	45"	98
LGV Length	L	7'-6"	9'-10"	14'-9"
LGV Width*	W	60"	78"	78"
Wheel base	WB	47"	62"	87"
Max. travel speed		3.8 mi/h	3.8 mi/h	3.8 mi/h
LGV weight with battery		5500 lb	8800 lb	12000 lb
Battery		48 V - 250 A/h	48 V - 320 A/h	48 V - 375 A/h

\*Customizable